

Dialog Vision

500-3000 VA single-phase

Dialog Vision 500-3000 VA



The **DIALOG VISION** series includes the DVT (Tower version), DVR (Rack version) and DVD (Dual Rack/Tower version) with models from 500VA to 3000VA and uses sinewave digital technology.

The **DIALOG VISION** range, with its advanced communications and connectivity options, is the ideal solution for the most demanding of customers looking for superior protection and versatility.

DIALOG VISION is the best protection for network devices, rackmounted servers, conventional rack-mounted or tower servers, network storage systems.



VERY HIGH PROTECTION

An Automatic Voltage Regulator (AVR) provides stabilisation from brownouts, sag and surge voltages. EMI filters then provide further protection from spikes and transients. When the mains power supply fails, the load is powered by the inverter and receives a true sinewave supply for maximum power continuity and reliability.

The UPS also incorporates protection for PC and network, telephone line/modem connections (RJ45-RJ11).

HIGH AVAILABILITY

One PowerShare socket for load-shedding of the least critical loads to maximise back up time for the most critical servers. Hot swappable battery (front access) for simple and risk-free UPS maintenance.

Additional Battery Boxes (with chargers) are available for the DVD 220 and 300 for long back up time applications.

Battery Test facility to detect deteriorating battery performance and failure.

Deep discharge protection: in the case of low load long discharge periods, the end-of-discharge voltage threshold is increased as recommended by battery manufacturers, in order to avoid damaging the battery

VERSATILITY

DIALOG VISION DUAL (DVD150, 220 and 300) can be placed directly onto the floor or mounted in 19" rackmount cabinets.

The front panel digital display can be easily pulled out and rotated to suit the installation format.

DVD and DVR versions include an Emergency Power Off (EPO) input contact.

Cold Start function to allow a **DIALOG VISION** to power up with no mains power supply present.

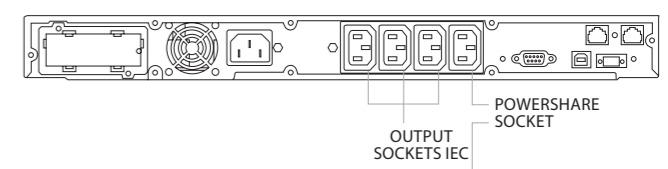
ADVANCED COMMUNICATION

- Advanced communication, multiplatform, for all operating systems and network environments: **PowerShield³** supervision and shut-down software included, with SNMP agent, for Windows 7, 2008, Vista, 2003, XP, Linux, Mac OS X, Sun Solaris, Linux, VMWare ESX operating systems and other Unix operating systems
- USB or RS232 serial port (selectable)
- Slot-in SNMP network adapter card
- LCD Display.

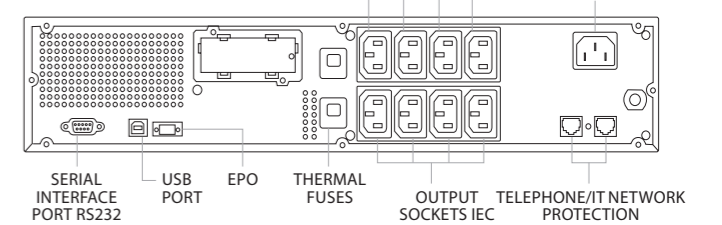
2 YEAR WARRANTY



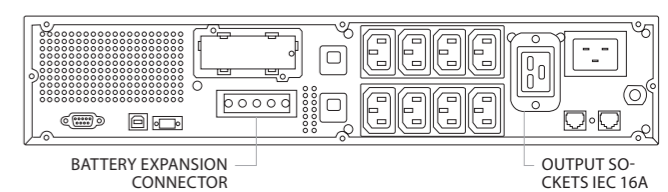
DVR 50/80/110



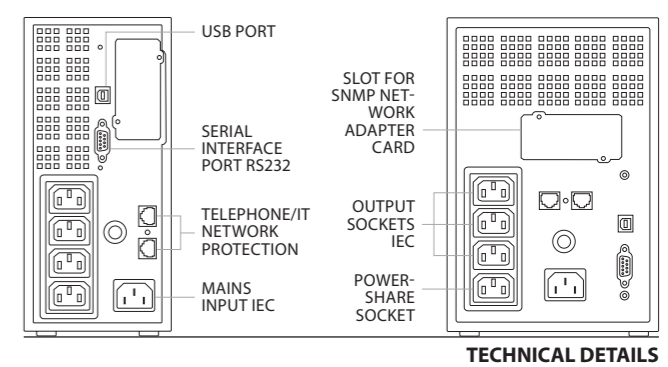
DVD 150



DVD 220/300



DVT 50/80/110



Dialog Vision 500-3000 VA

TOWER VERSION MODELS	DVT 50	DVT 80	DVT 110	DVT 150	DVT 200
POWER	500VA/350W	800VA/540W	1100VA/740W	1500VA/1050W	2000VA/1350W
Dimensions (hwd) (mm)	235 x 110 x 383	235 x 110 x 383	235 x 110 x 383	235 x 160 x 425	235 x 160 x 425
Weight (kg)	7.2	10.6	11	18	18.4
IEC mains input plug	1 (10A)	1 (10A)	1 (10A)	1 (10A)	1 (10A)
IEC output sockets	4 (10A)	4 (10A)	4 (10A)	4 (10A)	4 (10A)

RACK 1U and TOWER/RACK (Dual) 2U MODELS	DVR 50	DVR 80	DVR 110	DVD 150	DVD 220	DVD 300
POWER	500VA/350W	800VA/540W	1100VA/740W	1500VA/1050W	2200VA/1540W	3000VA/2100W
Dimensions (hwd) (mm)	1U x 19" x 460	1U x 19" x 460	1U x 19" x 460	T 438 x 88 x 582 R 2U x 19" x 582	T 438 x 88 x 582 R 2U x 19" x 582	T 438 x 88 x 582 R 2U x 19" x 582
Weight (kg)	12	13.5	15.6	28.7	31	32.8
IEC mains input plug	1 (10A)	1 (10A)	1 (10A)	1 (10A)	1 (16A)	1 (16A)
IEC output sockets	4 (10A)	4 (10A)	4 (10A)	8 (10A)	8 (10A) - 1 (16A)	8 (10A) - 1 (16A)

INPUT	
Rated voltage	230 Vac (selectable 200, 208, 220, 240 V)
Voltage range	160 V - 294 V
Frequency	50/60 Hz auto sensing
Frequency range	±5%
OUTPUT	
Rated voltage	230 Vac (selectable 200, 208, 220, 240 V)
Frequency	50 or 60 Hz auto sensing
Waveform	True sinewave
BATTERIES	
Type	VRLA AGM Maintenance-free lead-acid
Recharge time	4-6 h
ENVIRONMENTAL	
Protection	Overload - short-circuit - overvoltage - undervoltage - temperature - low battery
Communication	USB / RS232 / slot for interface communication
Compliance	EN 62040-1-1 and Directive 2006/95/EC EN 62040-2 and Directive 2004/108 EC
Performance	IEC / EN62040-3
Operating temperature	0°C ÷ +40°C
Storage temperature	-15°C ÷ +45°C
Relative humidity	< 95% non condensing
Noise	< 50 dBA
Colour	Dark grey RAL 7016

BATT. BOX MODELS	BB 96-A5
DVD MODEL	DVD 220 - DVD 300
Dimensions (mm) h x w x d	